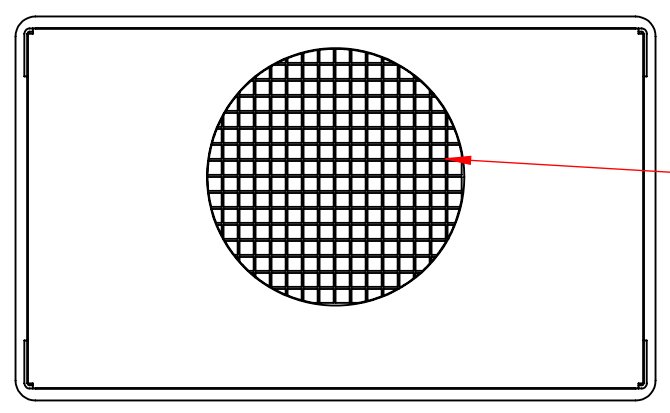
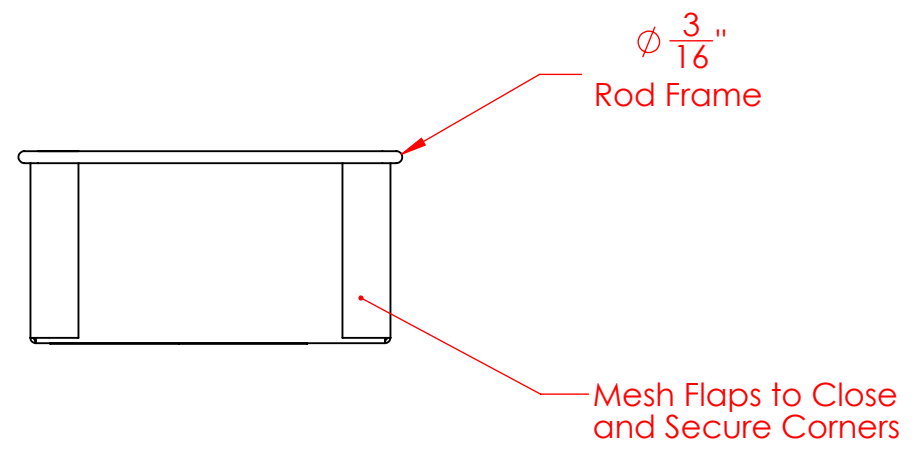
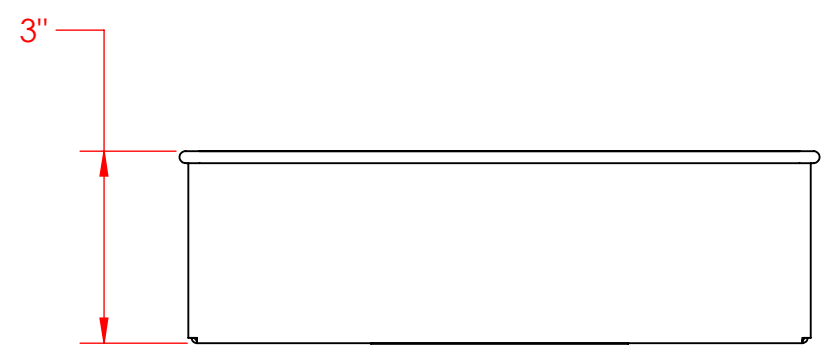
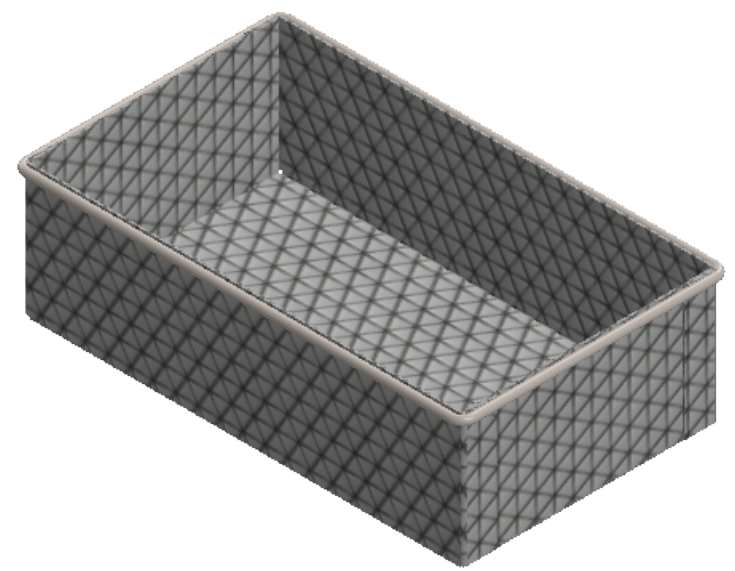
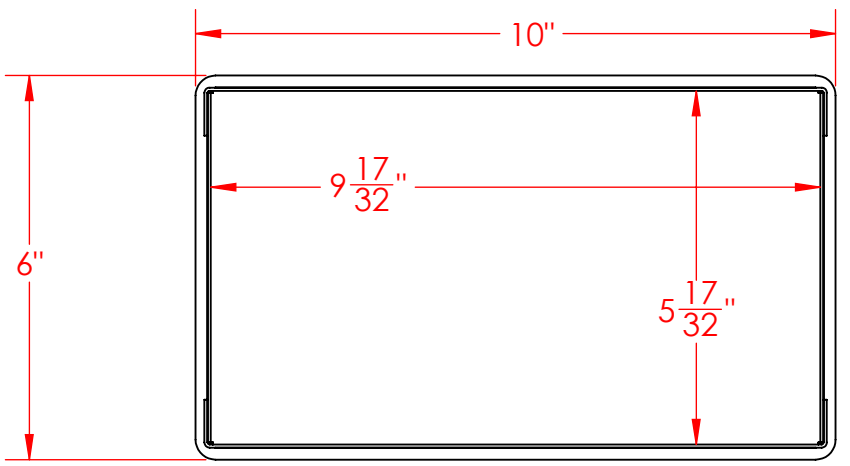


8 7 6 5 4 3 2 1

D  
C  
B  
A



One Piece Mesh Body of 4 Mesh x .032" Welded Wire (.218" Openings, 76% Open Area)

UNLESS OTHERWISE SPECIFIED:  
 DIMENSIONS ARE IN INCHES  
 TOLERANCES:  
 FRACTIONAL  $\pm 1/16$ "  
 ANGULAR:  $\pm 5$  DEG.  
 TWO PLACE DECIMAL  $\pm 0.03$   
 THREE PLACE DECIMAL  $\pm 0.015$

EST WGT  
0.5 lbs.  
 MATERIAL  
304 Stainless Steel  
 FINISH  
Natural

Light Duty Mesh Basket:  
 10Lx6Wx3H, 304 SS, No Handles,  
 Mesh: 4 x .032

SIZE **B** DWG. NO.  
 FLB-100060030-N04S

**PROPRIETARY AND CONFIDENTIAL**  
 THE INFORMATION CONTAINED IN THIS DRAWING IS THE SOLE PROPERTY OF THREE M TOOL. ANY REPRODUCTION IN PART OR AS A WHOLE WITHOUT THE WRITTEN PERMISSION OF THREE M TOOL IS PROHIBITED.

DO NOT SCALE DRAWING SCALE: 1:3 SHEET 1 OF 1

8 7 6 5 4 3 2 1